

 **BOEING**
COMPONENT
MAINTENANCE MANUAL

TO: ALL HOLDERS OF TELEPHONE HANDSET RECEPTACLE/CUP ASSEMBLY COMPONENT
MAINTENANCE MANUAL 23-42-67

REVISION NO. 3 DATED NOV 01/03

HIGHLIGHTS

Pages which have been added or revised are outlined below together with the highlights of the revision. Remove and insert the affected pages as listed and enter Revision No. and date on the Record of Revision Sheet.

CHAPTER/SECTION

AND PAGE NO.

TITLE PAGE

1

1004,1006-1008,

1011-1016

DESCRIPTION OF CHANGE

Added assemblies 417T6024-101, -104 thru -106, -111,
-114 thru -116 and 65B54281-1 thru -4, -6 thru -11,
-18, -21, -37, -38.

23-42-67

HIGHLIGHTS

Page 1

Nov 01/03

01.1

TELEPHONE HANDSET RECEPTACLE/CUP ASSEMBLY

PART NUMBERS 417N6020-1 THRU -8,-10,-11
417T6024-1,-3 THRU -6,-11,-14
THRU -16,-101,-104
THRU -106,-111,-114
THRU -116
65B54281-1 THRU -15,-18,-20
THRU -24,-30,-32,
-35 THRU -38

COMPONENT MAINTENANCE MANUAL
WITH
ILLUSTRATED PARTS LIST

23-42-67

TITLE PAGE

Page 1

Nov 01/03

01.1

REVISION RECORD

- Retain this record in front of manual. On receipt of revision, insert revised pages in the manual, and enter revision number, date inserted and initial.

REVISION NUMBER	REVISION DATE	DATE FILED	BY	REVISION NUMBER	REVISION DATE	DATE FILED	BY

417N6020
417T6024
65B54281



TEMPORARY REVISION AND SERVICE BULLETIN RECORD

BOEING SERVICE BULLETIN	BOEING TEMPORARY REVISION	OTHER DIRECTIVE	DATE OF INCORPORATION INTO MANUAL

23-42-67

TR & SB RECORD

01.1

Page 1

Jul 01/00

PAGE	DATE	CODE	PAGE	DATE	CODE
23-42-67			ILLUSTRATED PARTS LIST		CONT.
TITLE PAGE			*1008	NOV 01/03	01.1
*1	NOV 01/03	01.1	*1009	BLANK	
2	BLANK		*1010	NOV 01/03	01.1
REVISION RECORD			*1011	NOV 01/03	01.1
1	JUL 01/00	01.1	*1012	NOV 01/03	01.1
2	BLANK		*1013	NOV 01/03	01.1
TR & SB RECORD			*1014	NOV 01/03	01.1
1	JUL 01/00	01.1	*1015	NOV 01/03	01.1
2	BLANK		*1016	NOV 01/03	01.1
LIST OF EFFECTIVE PAGES			*1017	NOV 01/03	01.101
*1	NOV 01/03	01	*1018	NOV 01/03	01.101
THRU LAST PAGE			*1019	NOV 01/03	01.101
CONTENTS			*1020	NOV 01/03	01.101
1	JUL 01/00	01.1	*1021	NOV 01/03	01.1
2	BLANK		*1022	NOV 01/03	01.1
INTRODUCTION			*1023	NOV 01/03	01.1
1	JUL 01/00	01.1	*1024	NOV 01/03	01.1
2	BLANK				
DESCRIPTION & OPERATION					
1	JUL 01/00	01.1			
2	BLANK				
REPAIR-GENERAL					
601	JUL 01/00	01.1			
602	BLANK				
ILLUSTRATED PARTS LIST					
1001	JUL 01/00	01.1			
*1002	NOV 01/03	01.101			
*1003	NOV 01/03	01.101			
*1004	NOV 01/03	01.1			
*1005	NOV 01/03	01.101			
*1006	NOV 01/03	01.1			
*1007	NOV 01/03	01.1			

* = REVISED, ADDED OR DELETED

23-42-67

EFFECTIVE PAGES
LAST PAGE Page 1
01 Nov 01/03

TABLE OF CONTENTS

<u>Paragraph Title</u>	<u>Page</u>
Description and Operation	1
Testing and Trouble Shooting.*[1]	
Disassembly*[1]	
Cleaning.*[1]	
Check*[1]	
Repair.	601
Assembly.*[1]	
Fits and Clearances (not applicable)	
Special Tools*[2]	
Illustrated Parts List.	1001

*[1] Use applicable procedures in S0PM (Standard Overhaul Practices Manual) 20-11-04 and standard industry practices.

*[2] Special instructions not required.

INTRODUCTION

The instructions in this manual provide the information necessary to perform maintenance functions including test, fault isolation, and replacement of defective components.

This manual is divided into separate sections:

- | | |
|--|------------------------------|
| 1. Title Page | 4. List of Effective Pages |
| 2. Record of Revisions | 5. Table of Contents |
| 3. Temporary Revision &
Service Bulletin Record | 6. Introduction |
| | 7. Procedures & IPL Sections |

Refer to the Table of Contents for the page location of applicable sections.

An explanation of the use of the Illustrated Parts List is provided in the Introduction to that section.

All weights and measurements used in the manual are in English units, unless otherwise stated. When metric equivalents are given they will be in parentheses following the English units.

Design changes, optional parts, configuration differences and Service Bulletin modifications create alternate part numbers. These are identified in the Illustrated Parts List (IPL) by adding an alphabetical character to the basic item number. The resulting item number is called an alpha-variant. Throughout the manual, IPL basic item number references also apply to alpha-variants unless otherwise indicated.

Verification:

Testing/TS

23-42-67

INTRODUCTION

01.1

Page 1

Jul 01/00

TELEPHONE HANDSET RECEPTACLE/CUP ASSEMBLY

DESCRIPTION AND OPERATION

1. Description

- A. The telephone handset receptacle assembly contains a cradle and the magnet assembly.
- B. The telephone handset cup assembly consists of a cup, a pin, a spring and a spring bracket.

23-42-67

DESCRIPTION & OPERATION

01.1

Page 1

Jul 01/00

REPAIR

1. All repair may be accomplished with standard industry practices and procedures contained in SOPM 20-11-04 except as follows:
 - A. When replacing a magnet assembly (item 10, 10A, 10B or 10C of IPL Fig. 1), locate flanged face of the magnet assembly centrally into recess. Bond mating surfaces and apply extra bonding agent around periphery edge of the magnet per SOPM 20-50-12, Type 70.

23-42-67

REPAIR-GENERAL

01.1

Page 601

Jul 01/00

ILLUSTRATED PARTS LIST

1. This section lists and illustrates replaceable or repairable component parts. The Illustrated Parts Catalog contains a complete explanation of the Boeing part numbering system.

2. Indentures show parts relationships as follows:

Assembly

Detail Parts for Assembly

Subassembly

Attaching Parts for Subassembly

Detail Parts for Subassembly

Detail Installation Parts (Included only if installation parts may be returned to shop as part of assembly)

3. One use code letter (A, B, C, etc.) is assigned in the EFF CODE column for each variation of top assembly. All listed parts are used on all top assemblies except when limitations are shown by use code letter opposite individual part entries.

4. Letter suffixes (alpha-variants) are added to item numbers for optional parts, Service Bulletin modification parts, configuration differences (Except left- and right-hand parts), product improvement parts, and parts added between two sequential item numbers. The alpha-variant is not shown on illustrations when appearance and location of all variants of the part is the same.

5. Service Bulletin modifications are shown by the notations PRE SB XXXX and POST SB XXXX.

A. When a new top assembly part number is assigned by Service Bulletin, the notations appear at the top assembly level only. The configuration differences at detail part level are then shown by use code letter.

B. When the top assembly part number is not changed by the Service Bulletin, the notations appear at the detail part level.

6. Parts Interchangeability

Optional
(OPT)

The parts are optional to and interchangeable with other parts having the same item number.

Supersedes, Superseded By
(SUPSDS, SUPSD BY)

The part supersedes and is not interchangeable with the original part.

Replaces, Replaced By
(REPLS, REPLD BY)

The part replaces and is interchangeable with, or is an alternate to, the original part.

23-42-67

VENDORS

03296 NYLON MOLDING CORP
1617 S CALIFORNIA
MONROVIA, CALIFORNIA 91016-4621

08205 RENTON COIL SPRING COMPANY
325 BURNETT NORTH PO BOX 328
RENTON, WASHINGTON 98057

26344 NEW HAVEN MFG CORP
446 BLAKE STREET
NEW HAVEN, CONNECTICUT 06515-1238

28406 VAUPELL INDUSTRIAL PLASTICS, INCORPORATED
1144 NORTHWEST 53RD STREET
SEATTLE, WASHINGTON 98107-3735

33692 CODE-A-PHONE CORP SUB OF CONRAC CORP
16261 SE 130TH AVENUE
CLACKAMAS, OREGON 97015-8902

23-42-67

ILLUSTRATED PARTS LIST
01.101 Page 1002
Nov 01/03

417N6020
 417T6024
 65B54281

 **BOEING**
 COMPONENT
 MAINTENANCE MANUAL

PART NUMBER	AIRLINE PART NO.	FIG.	ITEM	TTL REQ
MS24585C254		2	70	4
MS24693C52		2	5	4
MS51957-44		2	35	2
MS51957-48		2	40	2
MS9048-178		1	25A	1
MS9048-179		1	25	1
NAS1149CN832R		2	45	4
NMC1533		1	30	1
		1	40	1
RCS5464		1	30C	1
		1	40A	1
V1PX100		1	10B	1
		1	12	1
		2	20	1
1X00-189		1	10	1
417N6020-1		1	1A	RF
417N6020-10		1	3D	RF
417N6020-11		1	3E	RF
417N6020-12		1	35	1
417N6020-2		1	3	RF
417N6020-3		1	1B	RF
417N6020-4		1	3A	RF
417N6020-5		1	1C	RF
417N6020-6		1	3B	RF
417N6020-7		1	1D	RF
417N6020-8		1	3C	RF
417N6021-1		1	5	1
417N6021-2		1	15G	1
417N6021-3		1	5A	1
417N6021-4		1	15B	1
417N6021-5		1	5B	1
417N6021-6		1	15D	1
417N6021-7		1	15F	1
417N6021-8		1	5C	1
417N6022-1		1	20	1
417N6022-2		1	20A	1

23-42-67

ILLUSTRATED PARTS LIST
 01.101 Page 1003
 Nov 01/03

PART NUMBER	AIRLINE PART NO.	FIG.	ITEM	TTL REQ
417N6022-3		1	20B	1
417N6022-4		1	20C	1
417T6021-2		1	15	1
417T6024-1		1	2	RF
		2	1A	RF
417T6024-101		1	2J	RF
		2	1K	RF
417T6024-104		1	2K	RF
		2	1L	RF
417T6024-105		1	2L	RF
		2	1M	RF
417T6024-106		1	2M	RF
		2	1N	RF
417T6024-111		1	2N	RF
		2	1P	RF
417T6024-114		1	2P	RF
		2	1Q	RF
417T6024-115		1	2Q	RF
		2	1R	RF
417T6024-116		1	2R	RF
		2	1S	RF
417T6024-11		1	2E	RF
		2	1F	RF
417T6024-14		1	2F	RF
		2	1G	RF
417T6024-15		1	2G	RF
		2	1H	RF
417T6024-16		1	2H	RF
		2	1J	RF
417T6024-3		1	2A	RF
		2	1B	RF
417T6024-4		1	2B	RF
		2	1C	RF

23-42-67

 ILLUSTRATED PARTS LIST
 01.1 Page 1004
 Nov 01/03

417N6020
417T6024
65B54281

 **BOEING**
COMPONENT
MAINTENANCE MANUAL

PART NUMBER	AIRLINE PART NO.	FIG.	ITEM	TTL REQ
417T6024-5		1	2C	RF
		2	1D	RF
417T6024-6		1	2D	RF
		2	1E	RF
417T6025-1		2	50	1
417T6025-11		2	100	1
417T6025-13		2	100A	1
417T6025-14		2	100B	1
417T6025-15		2	100C	1
417T6025-21		2	10	1
417T6025-23		2	10A	1
417T6025-24		2	10B	1
417T6025-25		2	10C	1
417T6025-31		2	10D	1
417T6025-34		2	10E	1
417T6025-36		2	100D	1
417T6025-37		2	10F	1
417T6025-38		2	100E	1
417T6025-39		2	10G	1
417T6025-40		2	100F	1
417T6025-41		2	10H	1
417T6026-10		2	125	1
417T6026-101		2	120	1
417T6026-103		2	120A	1
417T6026-104		2	120B	1
417T6026-105		2	120C	1
417T6026-11		2	135	1
417T6026-111		2	105	1
417T6026-113		2	105A	1
417T6026-114		2	105B	1
417T6026-115		2	105C	1
417T6026-13		2	135A	1
417T6026-14		2	135B	1
417T6026-15		2	135C	1
417T6026-2		2	95	1
417T6026-20		2	80	1
417T6026-201		2	31	1
417T6026-203		2	31A	1
417T6026-204		2	31B	1
417T6026-205		2	31C	1

23-42-67

ILLUSTRATED PARTS LIST
01.101 Page 1005
Nov 01/03

PART NUMBER	AIRLINE PART NO.	FIG.	ITEM	TTL REQ
417T6026-211		2	30	1
417T6026-213		2	30A	1
417T6026-214		2	30B	1
417T6026-215		2	30C	1
417T6026-231		2	30D	1
417T6026-234		2	30E	1
417T6026-300		2	105D	1
417T6026-301		2	120D	1
417T6026-302		2	135D	1
417T6026-303		2	30F	1
417T6026-304		2	31D	1
417T6026-305		2	120E	1
417T6026-306		2	105E	1
417T6026-307		2	135E	1
417T6026-308		2	31E	1
417T6026-309		2	30G	1
417T6026-310		2	105F	1
417T6026-311		2	135F	1
417T6026-312		2	30H	1
417T6026-313		2	120F	1
417T6026-314		2	31F	1
417T6027-1		2	75A	1
417T6027-11		2	75	1
417T6027-2		2	55	2
417T6027-3		2	60	1
417T6511-1		1	11	1
		2	15	1
417T6511-2		1	13	1
		2	25	1
417U6007-22		2	140	1
417U6007-3		1	30B	1
417U6007-7		1	50	1
476W2222-3		2	65	6
6035-06BRX250		2	85	2
6035-2BRX185		2	110	2
6035-2BRX312		2	33	4
		2	130	2
6035-3BRX225		2	90	1
6041-3BRX225		2	115	1
65B54281-1		1	1L	RF
65B54281-10		1	1S	RF
65B54281-11		1	1T	RF
65B54281-12		1	1F	RF
65B54281-13		1	3F	RF
65B54281-14		1	3G	RF

23-42-67

 ILLUSTRATED PARTS LIST
 01.1 Page 1006
 Nov 01/03

417N6020
 417T6024
 65B54281

 **BOEING**
 COMPONENT
 MAINTENANCE MANUAL

PART NUMBER	AIRLINE PART NO.	FIG.	ITEM	TTL REQ
65B54281-15		1	1G	RF
65B54281-18		1	3S	RF
65B54281-2		1	1M	RF
65B54281-21		1	1U	RF
65B54281-20		1	3H	RF
65B54281-21		1	1U	RF
65B54281-22		1	3J	RF
65B54281-23		1	1H	RF
65B54281-24		1	3K	RF
65B54281-3		1	1N	RF
65B54281-30		1	3L	RF
65B54281-32		1	3M	RF
65B54281-35		1	1J	RF
65B54281-36		1	3N	RF
65B54281-37		1	1K	RF
65B54281-38		1	3P	RF
65B54281-4		1	1P	RF
65B54281-5		1	1E	RF
65B54281-6		1	1Q	RF
65B54281-7		1	3Q	RF
65B54281-8		1	1R	RF
65B54281-9		1	3R	RF
65B54282-1		1	5J	1
65B54282-10		1	15K	1
65B54282-11		1	5L	1
65B54282-13		1	5F	1
65B54282-14		1	15L	1
65B54282-20		1	15M	1
65B54282-2		1	15R	1
65B54282-24		1	15A	1
65B54282-3		1	5D	1
65B54282-30		1	15P	1
65B54282-31		1	5G	1

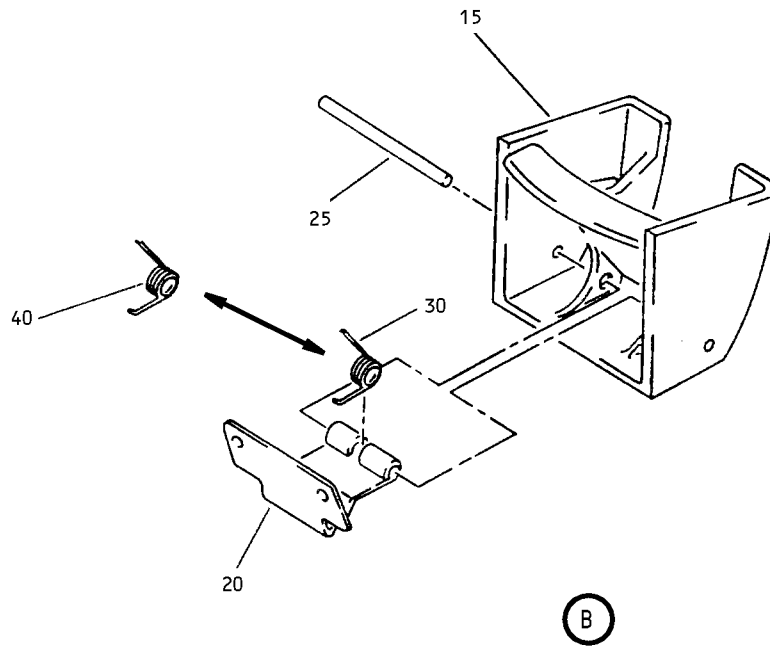
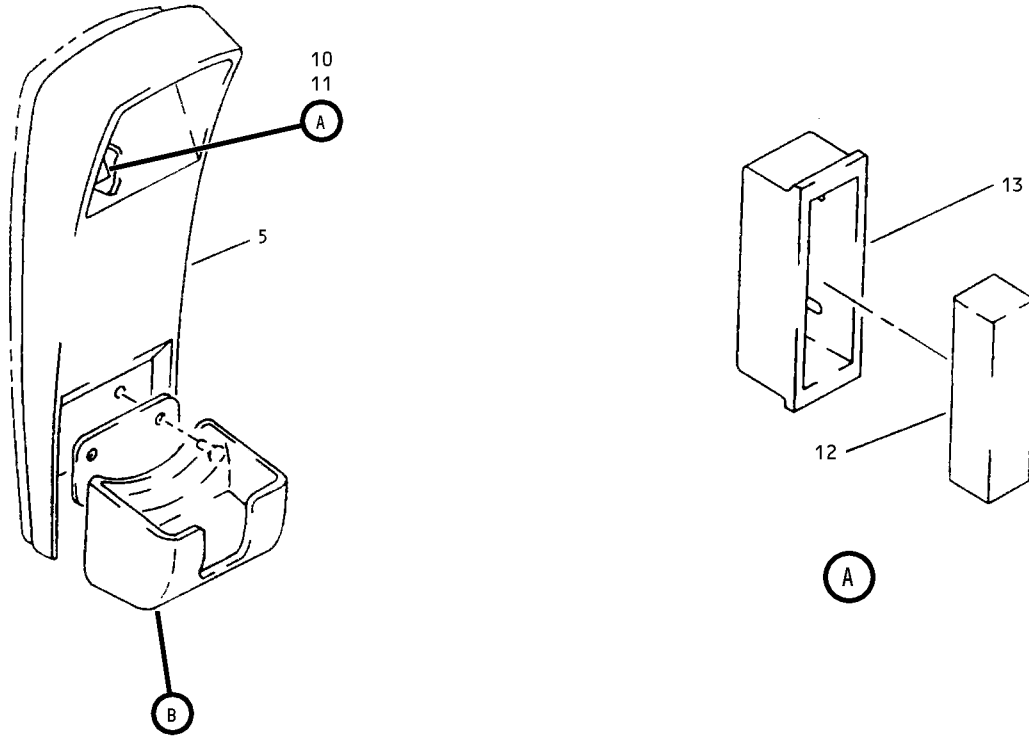
23-42-67

ILLUSTRATED PARTS LIST
 01.1 Page 1007
 Nov 01/03

PART NUMBER	AIRLINE PART NO.	FIG.	ITEM	TTL REQ
65B54282-32		1	15Q	1
65B54282-33		1	5H	1
65B54282-4		1	15S	1
65B54282-5		1	5K	1
65B54282-6		1	15J	1
65B54282-7		1	5E	1
65B54282-8		1	15T	1
69B55807-1		1	20J	1
69B55807-2		1	20K	1
69B55807-3		1	20D	1
69B55807-4		1	20E	1
69B55807-5		1	20F	1
69B55807-6		1	20G	1
69B55807-7		1	20H	1

23-42-67

ILLUSTRATED PARTS LIST
 01.1 Page 1008
 Nov 01/03



Telephone Handset Receptacle/Cup Assembly
Figure 1

23-42-67

ILLUSTRATED PARTS LIST
01.1 Page 1010
Nov 01/03

417N6020
417T6024
65B54281

 **BOEING**
COMPONENT
MAINTENANCE MANUAL

FIG. & ITEM	PART NO.	AIRLINE PART NUMBER	NOMENCLATURE 1234567	EFF CODE	QTY PER ASSY
01-					
-1A	417N6020-1		RECEPTACLE ASSY-HANDSET, TEL	A	RF
-1B	417N6020-3		RECEPTACLE ASSY-HANDSET, TEL	C	RF
-1C	417N6020-5		RECEPTACLE ASSY-HANDSET, TEL	E	RF
-1D	417N6020-7		RECEPTACLE ASSY-HANDSET, TEL	G	RF
-1E	65B54281-5		RECEPTACLE ASSY-HANDSET, TEL	L	RF
-1F	65B54281-12		RECEPTACLE ASSY-HANDSET, TEL	M	RF
-1G	65B54281-15		RECEPTACLE ASSY-HANDSET, TEL	Q	RF
-1H	65B54281-23		RECEPTACLE ASSY-HANDSET, TEL	T	RF
-1J	65B54281-35		RECEPTACLE ASSY-HANDSET, TEL	X	RF
-1K	65B54281-37		RECEPTACLE ASSY-HANDSET, TEL	Z	RF
-1L	65B54281-1		RECEPTACLE ASSY-HANDSET, TEL	AL	RF
-1M	65B54281-2		RECEPTACLE ASSY-HANDSET, TEL	AM	RF
-1N	65B54281-3		RECEPTACLE ASSY-HANDSET, TEL	AN	RF
-1P	65B54281-4		RECEPTACLE ASSY-HANDSET, TEL	AP	RF
-1Q	65B54281-6		RECEPTACLE ASSY-HANDSET, TEL	AQ	RF
-1R	65B54281-8		RECEPTACLE ASSY-HANDSET, TEL	AS	RF
-1S	65B54281-10		RECEPTACLE ASSY-HANDSET, TEL	AT	RF
-1T	65B54281-11		RECEPTACLE ASSY-HANDSET, TEL	AU	RF
-1U	65B54281-21		RECEPTACLE ASSY-HANDSET, TEL	AV	RF

23-42-67

ILLUSTRATED PARTS LIST
01.1 Page 1011
Nov 01/03

FIG. & ITEM	PART NO.	AIRLINE PART NUMBER	NOMENCLATURE 1234567	EFF CODE	QTY PER ASSY
01- -2	417T6024-1		CRADLE ASSY-HANDSET (FOT DETAILS SEE FIG. 2)	AB	RF
-2A	417T6024-3		CRADLE ASSY-HANDSET (FOR DETAILS SEE FIG. 2)	AC	RF
-2B	417T6024-4		CRADLE ASSY-HANDSET (FOR DETAILS SEE FIG. 2)	AD	RF
-2C	417T6024-5		CRADLE ASSY-HANDSET (FOR DETAILS SEE FIG. 2)	AE	RF
-2D	417T6024-6		CRADLE ASSY-HANDSET (FOR DETAILS SEE FIG. 2)	AF	RF
-2E	417T6024-11		CRADLE ASSY-HANDSET (FOR DETAILS SEE FIG. 2)	AG	RF
-2F	417T6024-14		CRADLE ASSY-HANDSET (FOR DETAILS SEE FIG. 2)	AH	RF
-2G	417T6024-15		CRADLE ASSY-HANDSET (FOR DETAILS SEE FIG. 2)	AJ	RF
-2H	417T6024-16		CRADLE ASSY-HANDSET (FOR DETAILS SEE FIG. 2)	AK	RF
-2J	417T6024-101		CRADLE ASSY-HANDSET (FOR DETAILS SEE FIG. 2)	AY	RF
-2K	417T6024-104		CRADLE ASSY-HANDSET (FOR DETAILS SEE FIG. 2)	AZ	RF
-2L	417T6024-105		CRADLE ASSY-HANDSET (FOR DETAILS SEE FIG. 2)	BA	RF
-2M	417T6024-106		CRADLE ASSY-HANDSET (FOR DETAILS SEE FIG. 2)	BB	RF
-2N	417T6024-111		CRADLE ASSY-HANDSET (FOR DETAILS SEE FIG. 2)	BC	RF
-2P	417T6024-114		CRADLE ASSY-HANDSET (FOR DETAILS SEE FIG. 2)	BD	RF
-2Q	417T6024-115		CRADLE ASSY-HANDSET (FOR DETAILS SEE FIG. 2)	BE	RF
-2R	417T6024-116		CRADLE ASSY-HANDSET (FOR DETAILS SEE FIG. 2)	BF	RF

23-42-67

 ILLUSTRATED PARTS LIST
 01.1 Page 1012
 Nov 01/03

417N6020
417T6024
65B54281

BOEING
COMPONENT
MAINTENANCE MANUAL

FIG. & ITEM	PART NO.	AIRLINE PART NUMBER	NOMENCLATURE 1234567	EFF CODE	QTY PER ASSY
01-					
-3	417N6020-2		CUP ASSY-HANDSET, TEL	B	RF
-3A	417N6020-4		CUP ASSY-HANDSET, TEL	D	RF
-3B	417N6020-6		CUP ASSY-HANDSET, TEL	F	RF
-3C	417N6020-8		CUP ASSY-HANDSET, TEL	H	RF
-3D	417N6020-10		CUP ASSY-HANDSET, TEL	J	RF
-3E	417N6020-11		CUP ASSY-HANDSET, TEL	K	RF
-3F	65B54281-13		CUP ASSY-HANDSET, TEL	N	RF
-3G	65B54281-14		CUP ASSY-HANDSET, TEL	P	RF
-3H	65B54281-20		CUP ASSY-HANDSET, TEL	R	RF
-3J	65B54281-22		CUP ASSY-HANDSET, TEL	S	RF
-3K	65B54281-24		CUP ASSY-HANDSET, TEL	U	RF
-3L	65B54281-30		CUP ASSY-HANDSET, TEL	V	RF
-3M	65B54281-32		CUP ASSY-HANDSET, TEL	W	RF
-3N	65B54281-36		CUP ASSY-HANDSET, TEL	Y	RF
-3P	65B54281-38		CUP ASSY-HANDSET, TEL	AA	RF
-3Q	65B54281-7		CUP ASSY-HANDSET, TEL	AR	RF
-3R	65B54281-9		CUP ASSY-HANDSET, TEL	AT	RF
-3S	65B54281-18		CUP ASSY-HANDSET, TEL	AU	RF
5	417N6021-1		. CRADLE	A	1
-5A	417N6021-3		. CRADLE	C	1
-5B	417N6021-5		. CRADLE	E	1
-5C	417N6021-8		. CRADLE	G	1
-5D	65B54282-3		. CRADLE	L,AP, AQ,AW	1
-5E	65B54282-7		. CRADLE	M,Q	1
-5F	65B54282-13		. CRADLE	T	1
-5G	65B54282-31		. CRADLE	X	1
-5H	65B54282-33		. CRADLE	Z	1
-5J	65B54282-1		. CRADLE	AL-AN	1
-5K	65B54282-5		. CRADLE	AS,AV	1
-5L	65B54282-11		. CRADLE	AX	1
10	1X00-189		. MAGNET ASSY- (V33692)	A,C,E G,L, AL-AQ AS,AV AW	1
-10A	1X00-189		. MAGNET ASSY- (V33692) (OPT ITEM 10B)	M	1
-10B	V1PX100		. MAGNET- (V28406) (OPT ITEM 10A)	M	1

23-42-67

ILLUSTRATED PARTS LIST
01.1 Page 1013
Nov 01/03

FIG. & ITEM	PART NO.	AIRLINE PART NUMBER	NOMENCLATURE 1234567	EFF CODE	QTY PER ASSY
01-11	417T6511-1		.MAGNET ASSY	Q,T,X Z,AX	1
12	V1PX100		..MAGNET- (V28406)	Q,T,X Z,AX	1
13	417T6511-2		..HOUSING	Q,T,X Z,AX	1
15	417T6021-2		.CUP- (LIMITED)	B	1
-15A	65B54282-24		.CUP- (LIMITED)	B	1
-15B	417N6021-4		.CUP- (OPT ITEM 15C)	D	1
-15C	65B54282-24		.CUP- (OPT ITEM 15B)	D	1
-15D	417N6021-6		.CUP- (OPT ITEM 15E)	F	1
-15E	65B54282-24		.CUP- (OPT ITEM 15D)	F	1
-15F	417N6021-7		.CUP	H	1
-15G	417N6021-2		.CUP	J	1
-15H	417N6021-6		.CUP	K	1
-15J	65B54282-6		.CUP	N,P	1
-15K	65B54282-10		.CUP	R,U	1
-15L	65B54282-14		.CUP	S	1
-15M	65B54282-20		.CUP	V	1
-15N	65B54282-24		.CUP	W	1
-15P	65B54282-30		.CUP	Y	1
-15Q	65B54282-32		.CUP	AA	1
-15R	65B54282-2		.CUP	AL-AN AR	1
-15S	65B54282-4		.CUP	AT	1
-15T	65B54282-8		.CUP	AU	1
20	417N6022-1		.BRACKET-SPRING	B,J	1
-20A	417N6022-2		.BRACKET-SPRING	D	1
-20B	417N6022-3		.BRACKET-SPRING	F,K	1
-20C	417N6022-4		.BRACKET-SPRING	H	1
-20D	69B55807-3		.BRACKET-SPRING	N,U	1
-20E	69B55807-4		.BRACKET-SPRING	P,R,V	1
-20F	69B55807-5		.BRACKET-SPRING	S,W	1
-20G	69B55807-6		.BRACKET-SPRING	Y	1
-20H	69B55807-7		.BRACKET-SPRING	AA	1
-20J	69B55807-1		.BRACKET-SPRING	AR,AU	1
-20K	69B55807-2		.BRACKET-SPRING	AT	1

23-42-67

 ILLUSTRATED PARTS LIST
 01.1 Page 1014
 Nov 01/03

417N6020
417T6024
65B54281

 **BOEING**
COMPONENT
MAINTENANCE MANUAL

FIG. & ITEM	PART NO.	AIRLINE PART NUMBER	NOMENCLATURE 1234567	EFF CODE	QTY PER ASSY
01-25	MS9048-179		.PIN-SPRING	B,D,F H,J,K AL-AN AR,AT AU	1
-25A	MS9048-178		.PIN-SPRING	N,P,R ,S, U-W,Y ,AA	1
30	NMC1533		.SPRING- (V03296) (OPT ITEMS 30C, 30D)	D,F,N P,AL, AM,AN AR,AT	1
-30A	V1P1533		DELETED		
-30B	417U6007-3		.SPRING	R,S,U V,W,Y AA,AU	1
-30C	RCS5464		.SPRING- (V08205) (OPT ITEMS 30, 30D)	D,F,N P,AL, AM,AN AR,AT	1
-30D	VIP1533		.SPRING- (V28406) (OPT ITEMS 30, 30C)	D,F,N P,AL, AM,AN AR,AT	1
-30E	RCS5464		.SPRING- (V08205) (OPT ITEMS 35)	B,H-K	1
-35	417N6020-12		.KIT ASSY-SUB (OPT ITEM 30E)	B,H-K	1

23-42-67

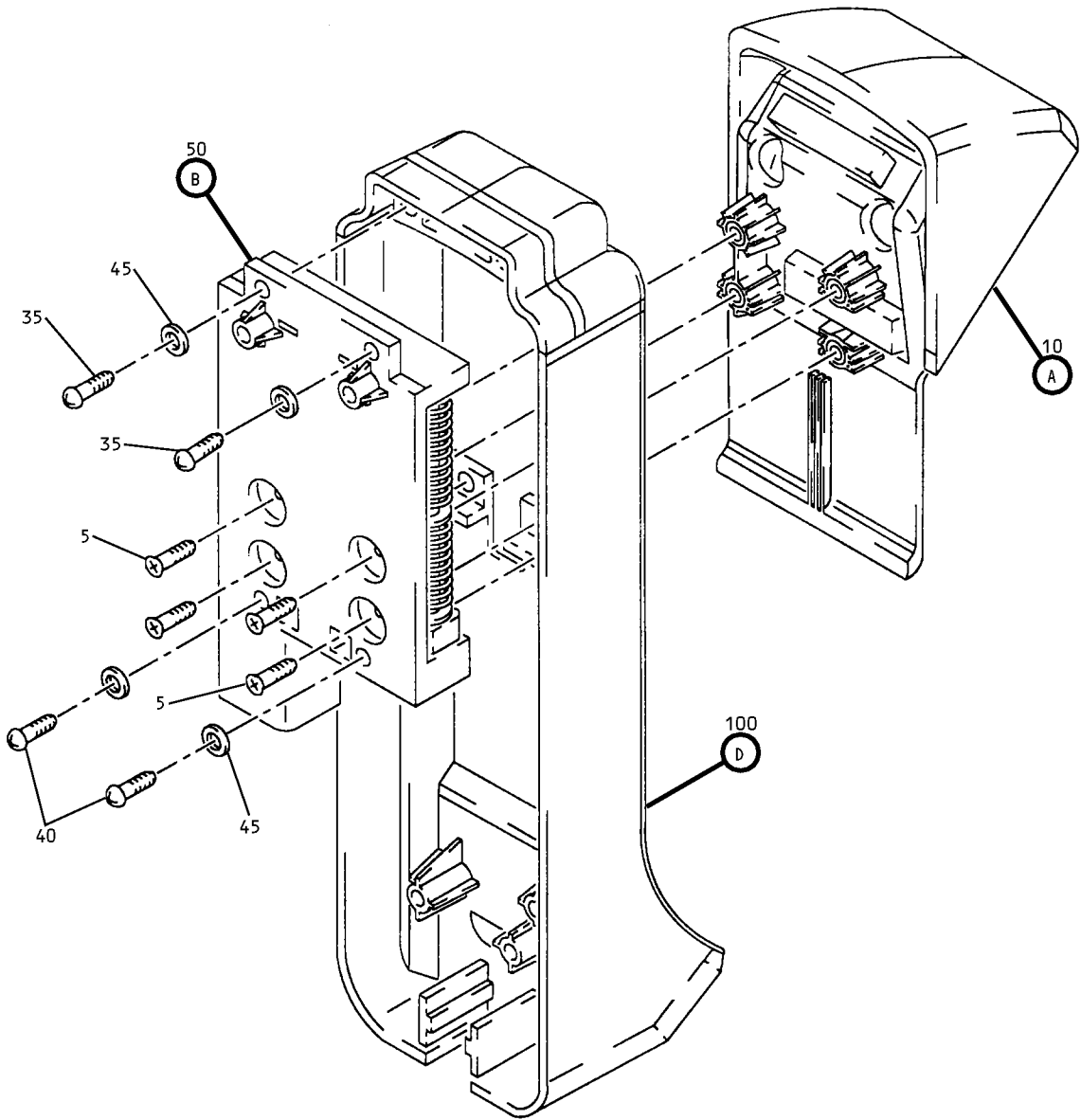
ILLUSTRATED PARTS LIST
01.1 Page 1015
Nov 01/03

FIG. & ITEM	PART NO.	AIRLINE PART NUMBER	NOMENCLATURE	EFF CODE	QTY PER ASSY
			1234567		
01-40	NMC1533		..SPRING- (V03296) (OPT ITEM 40A) (USED ON ITEM 35)	B,H-K	1
-40A	VIP1533		..SPRING- (V28406) (OPT ITEM 40) (USED ON ITEM 35)	B,H-K	1
-45	VIP1533		DELETED		
-50	417U6007-7		.BRACKET-	AX	1

- Item Not Illustrated

23-42-67

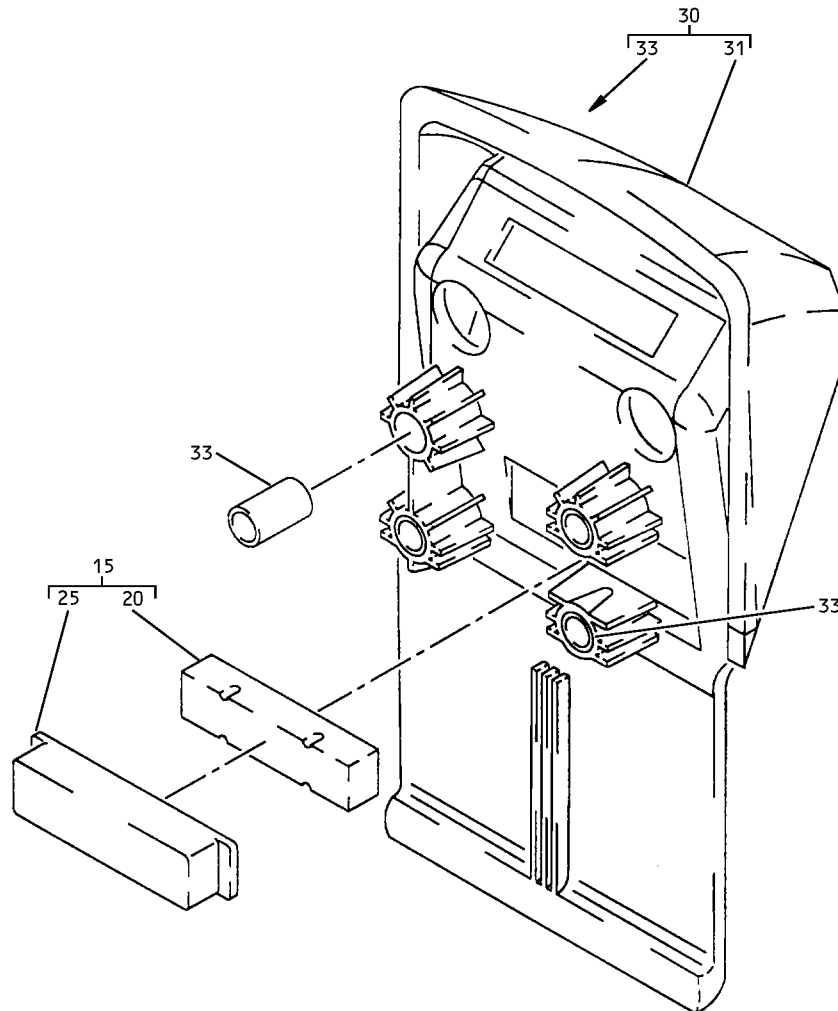
ILLUSTRATED PARTS LIST
 01.1 Page 1016
 Nov 01/03



Telephone Handset Receptacle/Cup Assembly
Figure 2 (Sheet 1)

23-42-67

ILLUSTRATED PARTS LIST
01.101 Page 1017
Nov 01/03

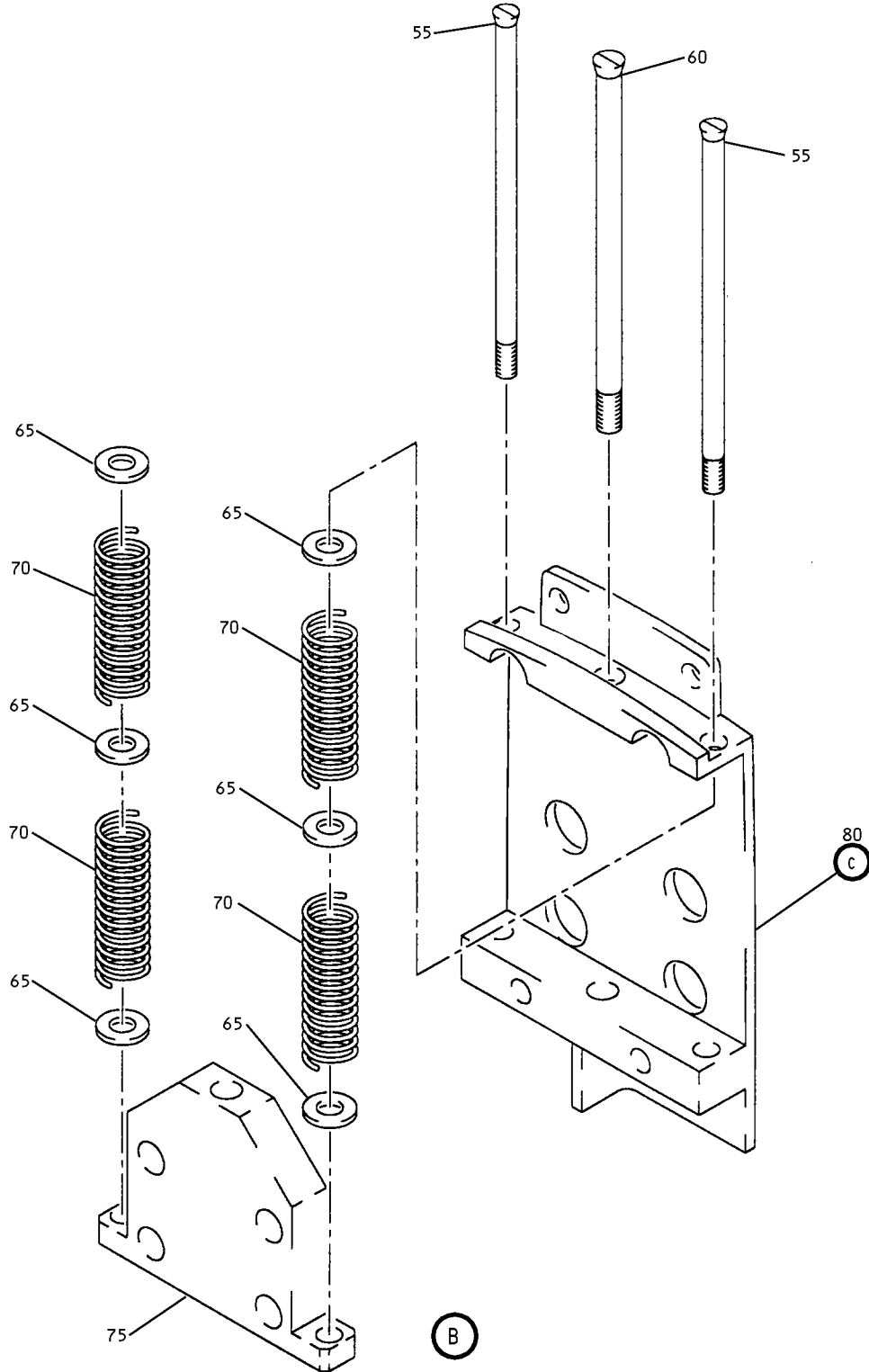


A

Telephone Handset Receptacle/Cup Assembly
Figure 2 (Sheet 2)

23-42-67

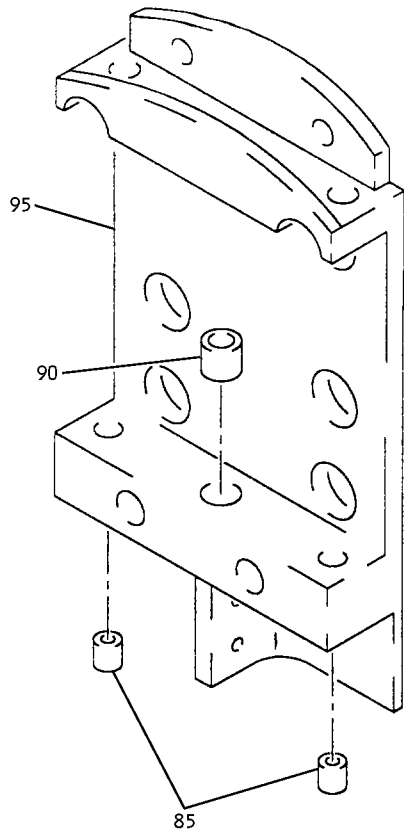
ILLUSTRATED PARTS LIST
01.101 Page 1018
Nov 01/03



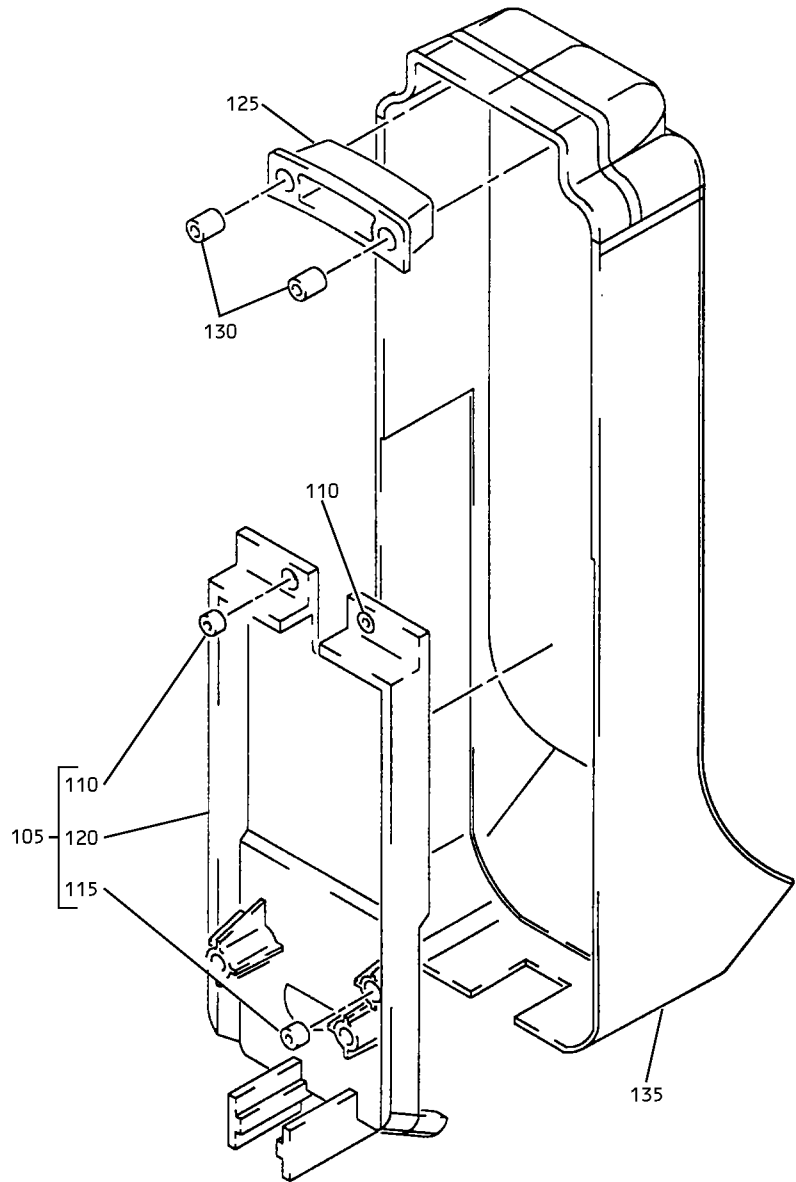
Telephone Handset Receptacle/Cup Assembly
Figure 2 (Sheet 3)

23-42-67

ILLUSTRATED PARTS LIST
01.101 Page 1019
Nov 01/03



(C)



(D)

Telephone Handset Receptacle/Cup Assembly
Figure 2 (Sheet 4)

23-42-67

ILLUSTRATED PARTS LIST
01.101 Page 1020
Nov 01/03

417N6020
417T6024
65B54281

 **BOEING**
COMPONENT
MAINTENANCE MANUAL

FIG. & ITEM	PART NO.	AIRLINE PART NUMBER	NOMENCLATURE 1234567	EFF CODE	QTY PER ASSY
02-					
-1A	417T6024-1		CRADLE ASSY-HANDSET	AB	RF
-1B	417T6024-3		CRADLE ASSY-HANDSET	AC	RF
-1C	417T6024-4		CRADLE ASSY-HANDSET	AD	RF
-1D	417T6024-5		CRADLE ASSY-HANDSET	AE	RF
-1E	417T6024-6		CRADLE ASSY-HANDSET	AF	RF
-1F	417T6024-11		CRADLE ASSY-HANDSET	AG	RF
-1G	417T6024-14		CRADLE ASSY-HANDSET	AH	RF
-1H	417T6024-15		CRADLE ASSY-HANDSET	AJ	RF
-1J	417T6024-16		CRADLE ASSY-HANDSET	AK	RF
-1K	417T6024-101		CRADLE ASSY-HANDSET	AY	RF
-1L	417T6024-104		CRADLE ASSY-HANDSET	AZ	RF
-1M	417T6024-105		CRADLE ASSY-HANDSET	BA	RF
-1N	417T6024-106		CRADLE ASSY-HANDSET	BB	RF
-1P	417T6024-111		CRADLE ASSY-HANDSET	BC	RF
-1Q	417T6024-114		CRADLE ASSY-HANDSET	BD	RF
-1R	417T6024-115		CRADLE ASSY-HANDSET	BE	RF
-1S	417T6024-116		CRADLE ASSY-HANDSET	BF	RF
5	MS24693C52		. SCREW	AB-AK AY-BF	4
10	417T6025-21		.EARPIECE ASSY	AB,AY	1
-10A	417T6025-23		.EARPIECE ASSY	AC	1
-10B	417T6025-24		.EARPIECE ASSY	AD,AZ	1
-10C	417T6025-25		.EARPIECE ASSY	AE,BA	1
-10D	417T6025-31		.EARPIECE ASSY	AG,BC	1
-10E	417T6025-34		.EARPIECE ASSY	AH,BD	1
-10F	417T6025-37		.EARPIECE ASSY	AF,BB	1
-10G	417T6025-39		.EARPIECE ASSY	AJ,BE	1
-10H	417T6025-41		.EARPIECE ASSY	AK,BF	1
15	417T6511-1		..MAGNET ASSY	AB-AK AY-BF	1
20	V1PX100		...MAGNET- (V28406)	AB-AK AY-BF	1
25	417T6511-2		...HOUSING	AB-AK AY-BF	1
30	417T6026-211		..EARPIECE ASSY	AB,AY	1
-30A	417T6026-213		..EARPIECE ASSY	AC	1
-30B	417T6026-214		..EARPIECE ASSY	AD,AZ	1
-30C	417T6026-215		..EARPIECE ASSY	AE,BA	1
-30D	417T6026-231		..EARPIECE ASSY	AG,BC	1
-30E	417T6026-234		..EARPIECE ASSY	AH,BD	1
-30F	417T6026-303		..EARPIECE ASSY	AF,BB	1
-30G	417T6026-309		..EARPIECE ASSY	AJ,BE	1
-30H	417T6026-312		..EARPIECE ASSY	AK,BF	1

23-42-67

ILLUSTRATED PARTS LIST
01.1 Page 1021
Nov 01/03

FIG. & ITEM	PART NO.	AIRLINE PART NUMBER	NOMENCLATURE 1234567	EFF CODE	QTY PER ASSY
02-31	417T6026-201		...EARPIECE	AB,AG AY,BC	1
-31A	417T6026-203		...EARPIECE	AC	1
-31B	417T6026-204		...EARPIECE	AD,AH AZ,BD	1
-31C	417T6026-205		...EARPIECE	AE,BA	1
-31D	417T6026-304		...EARPIECE	AF,BB	1
-31E	417T6026-308		...EARPIECE	AJ,BE	1
-31F	417T6026-314		...EARPIECE	AK,BF	1
33	6035-2BRX312		...INSERT- (V26344)	AB-AK AY-BF	4
35	MS51957-44		.SCREW	AB-AK AY-BF	2
40	MS51957-48		.SCREW	AB-AK AY-BF	2
45	NAS1149CN832R		.WASHER	AB-AK AY-BF	4
50	417T6025-1		.PLATE ASSY-TRAVEL	AB-AK AY-BF	1
55	417T6027-2		..ROD-CRADLE RETENTION	AB-AK AY-BF	2
60	417T6027-3		..ROD-CRADLE RETENTION	AB-AK AY-BF	1
65	476W2222-3		..WASHER	AB-AK AY-BF	6
70	MS24585C254		..SPRING	AB-AK AY-BF	4
75	417T6027-11		..PLATE-CRADLE TRAVEL (OPT ITEM 75A)	AB-AK AY-BF	1
-75A	417T6027-1		..PLATE-CRADLE TRAVEL (OPT ITEM 75)	AB-AK AY-BF	1
80	417T6026-20		..BACKPLATE ASSY	AB-AK AY-BF	1
85	6035-06BRX250		...INSERT- (V26344)	AB-AK AY-BF	2
90	6035-3BRX225		...INSERT- (V26344)	AB-AK AY-BF	1
95	417T6026-2		...BACKPLATE	AB-AK AY-BF	1
100	417T6025-11		.BASE ASSY-CRADLE	AB,AG AY,BC	1
-100A	417T6025-13		.BASE ASSY-CRADLE	AC	1
-100B	417T6025-14		.BASE ASSY-CRADLE	AD,AH AZ,BD	1
-100C	417T6025-15		.BASE ASSY-CRADLE	AE,BA	1

23-42-67

 ILLUSTRATED PARTS LIST
 01.1 Page 1022
 Nov 01/03

FIG. & ITEM	PART NO.	AIRLINE PART NUMBER	NOMENCLATURE 1234567	EFF CODE	QTY PER ASSY
02-					
-100D	417T6025-36		.BASE ASSY-CRADLE	AF, BB	1
-100E	417T6025-38		.BASE ASSY-CRADLE	AJ, BE	1
-100F	417T6025-40		.BASE ASSY-CRADLE	AK, BF	1
105	417T6026-111		..MOUTHPIECE ASSY	AB, AG AY, BC	1
-105A	417T6026-113		..MOUTHPIECE ASSY	AC	1
-105B	417T6026-114		..MOUTHPIECE ASSY	AD, AH AZ, BD	1
-105C	417T6026-115		..MOUTHPIECE ASSY	AE, BA	1
-105D	417T6026-300		..MOUTHPIECE ASSY	AF, BB	1
-105E	417T6026-306		..MOUTHPIECE ASSY	AJ, BE	1
-105F	417T6026-310		..MOUTHPIECE ASSY	AK, BF	1
110	6035-2BRX185		...INSERT- (V26344)	AB-AK AY-BF	2
115	6041-3BRX225		...INSERT- (V26344)	AB-AK AY-BF	1
120	417T6026-101		...MOUTHPIECE	AB, AG AY, BC	1
-120A	417T6026-103		...MOUTHPIECE	AC	1
-120B	417T6026-104		...MOUTHPIECE	AD, AH AZ, BD	1
-120C	417T6026-105		...MOUTHPIECE	AE, BA	1
-120D	417T6026-301		...MOUTHPIECE	AF, BB	1
-120E	417T6026-305		...MOUTHPIECE	AJ, BE	1
-120F	417T6026-313		...MOUTHPIECE	AK, BF	1
125	417T6026-10		..WEDGE ASSY	AB-AK AY-BF	1
130	6035-2BRX312		...INSERT- (V26344)	AB-AK AY-BF	2
135	417T6026-11		..CRADLE	AB, AG AY, BC	1

23-42-67

FIG. & ITEM	PART NO.	AIRLINE PART NUMBER	NOMENCLATURE	EFF CODE	QTY PER ASSY
			1234567		
02-					
-135A	417T6026-13		..CRADLE	AC	1
-135B	417T6026-14		..CRADLE	AD,AH AZ,BD	1
-135C	417T6026-15		..CRADLE	AE,BA	1
-135D	417T6026-302		..CRADLE	AF,BB	1
-135E	417T6026-307		..CRADLE	AJ,BE	1
-135F	417T6026-311		..CRADLE	AK,BF	1
-140	417U6002-22		.BRACKET-REINFORCEMENT	AY-BF	1

- Item Not Illustrated

23-42-67

ILLUSTRATED PARTS LIST
 01.1 Page 1024
 Nov 01/03